

# autopack

## Continuous Motion Overlap Seal Side infeed for Oval bottles

Safe

Versatile

Easy to use

Economical



Autopack SLO CMOS is a Continuous Motion Overlap Seal bundle shrink wrapper with side infeed designed for handling oval bottles or shaped containers. With a maximum speed of 45 cycles/min, it is Autopack's fastest machine and among the world's most compact overlap seal machines.

**Infeed with feed screw**

**Single / Multiple track operation**

**90 degree or Inline outfeed**



### The Autopack Package :Faster - Smaller - Better Pack - Less Energy

#### Standard Features

- Bottom overlap seal
- Quick & Easy changeover
- Speed up to 45 ppm (single track)
- Double/triple capacity with double/triple tracks
- Integrated Control & User friendly HMI
- Printed film registration device

#### Optional Features

- Infeed with feed screw
- Tear strip perforation device
- High product stabiliser
- Tunnel for handling aerosol



Autopack designers pay particular attention to specifying materials and finishes that are durable, do not affect the packaged product and remain serviceable for a long time.

Explore Shrink Wrapping and our range of Machines at  
[www.autopack.com](http://www.autopack.com)



## Side infeed for Oval bottles

### Operation

- Following upstream label, sleeve or straw applicator unit, packages arrive at the side of machine on a single lane infeed conveyor. Here, a motorized feed screw turns the products 90 degree and then transfers the pre-selected number of products into rotating finger bars. The finger bars mechanism transfers successive rows of products onto the grouping area.
- Once onto the grouping area, motorized conveyor and flight bars advance the complete collation through a film feeding area where film feeding and cutting units prepare to feed and cut the film according to preset film length. The groups are then moved to overlap area and wrapped around which forms a sleeve under the packs.

- The wrapped groups of packages enter the shrink tunnel chamber where recirculated hot air causes the plastic film to shrink, conforming to the contours of the contents, however leaving an opening at either end of the pack, often referred to as "Bulls Eye".
- Once the pack is out of the hot chamber, forced air cooling is used to tighten the wrap to allow further handling or conveying to secondary packaging equipment.

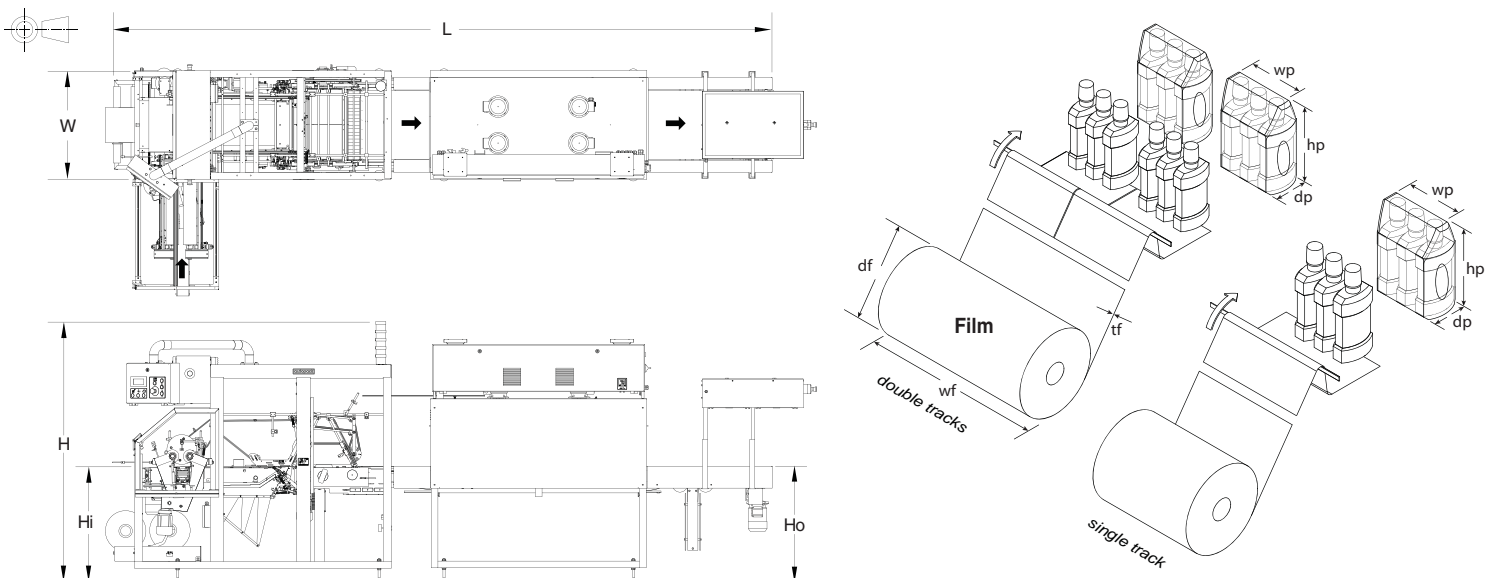
Specifications			50SLO	52SLO	70SLO	72SLO
(All parameters in mm except "Film thickness")			H25 / H35	H25 / H35	H25 / H35	H25 / H35
<b>Film</b>	Max roll width	wf	500	490	700	660-690
	Film thickness (µm)	tf	35 < tf < 100			
	Max roll dia	df	350 or max roll weight 40kg (whichever comes first)			
<b>Pack Size</b> <sup>1)</sup>	Max pack width	wp	400	200 <sup>2)</sup>	500	250 <sup>2)</sup>
	Max pack depth	dp	300	200	320	200
	Max pack height	hp	250 / 350	250 / 350	250 / 350	250 / 350
<b>Packing Speed</b> <sup>3)</sup>	<b>Packs/Min</b>		up to 40	up to 80	up to 40	up to 120
<b>Electrical Supply</b>	Average power	kW	20	20	24	24
	Max power	kW	28	28	34	34
Available in 220/380/415, 3ph, N+E, 50/60Hz						
<b>Compressed Air</b>	Working pressure	kPa	500	500	600	600
	Consumption	NL/Cycle	9.5	9.5	11	11
	(@ 25 cycles/min)	SCFM	8.4	8.4	9.8	9.8

#### Note:

- Maximum stated pack width can only be achieved if the pack depth and the height are not at their maximum. In general as the pack depth or height goes up, then for a given film size, width of the pack must decrease.
- Stated pack widths (and consequently pack depth and height) are based on double track mode. For triple track operation, max pack width will be reduced. Contact Autopack or your local representative for more information.
- The final speed is very much dependent on the shape size of the product as well as the size of the collation.
- Adjustable infeed/outfeed height from 850mm up to 900mm. Extension possible on request.

Dimensions			50SLO	52SLO	70SLO	72SLO
(All parameters in mm)			H25 / H35	H25 / H35	H25 / H35	H25 / H35
<b>Total System</b>	Overall length	L	5300	5300	5300	5300
	Width	W	800	800	1000	1000
	Height	H	1920	1920	1920	1920
	Infeed height <sup>4)</sup>	Hi	850	850	850	850
	Outfeed height <sup>4)</sup>	Ho	850	850	850	850

Above parameters are constantly reviewed and updated and may vary from project to project depending on customers requirements.



Manufactured by: **AUTOPACK CO., LTD.**  
98/50-51 Moo11, Phutthamonthon Sai 5 Rd,  
Raikhing, Sampran, Nakornpathom, 73210, Thailand  
Tel: (66) 2 001-8940, Email: info@autopack.com

[www.autopack.com](http://www.autopack.com)

Distributed by: